

IMPORTANT! PLEASE READ

All Outdoor Expressions weather gauges/clocks are prepared with a powder coated/painted finish. Gauges will weather over time, depending upon the environmental conditions where the gauge is installed. Your proper care of the gauges (see below) will enhance both the life and appearance of the gauges. Post treatments, such as clear lacquer, are not recommended.

PROPER CARE

In order to maximize the appearance of a **Outdoor Expressions** gauge, it is important that dust and debris is removed from the surface of the gauge periodically. It is recommended that the gauges be wiped down weekly using a soft, dry cloth.

DO NOT use any abrasives such as car wax or other polishes, glass cleaners or chemicals, as this will scratch /remove/damage the protective coating. All **Outdoor Expressions** gauges receive a durable powder coat finish, which enhances the durability of the gauge. The finish should also be wiped down weekly with a soft, dry cloth to remove dust and debris that will accumulate on the surface.

FAILURE TO FOLLOW THE ABOVE CARE INSTRUCTIONS WILL VOID THE WARRANTY OF THE GAUGE

For information regarding replacement parts, please write to:
Craftmade, P.O. Box 1037, Coppell, TX 75019

Please send the following information:

1. The model number and finish - Black, Rust, etc.
2. The name of the part - if you have a parts problem.
3. Your name, mailing address and phone number (with area code).

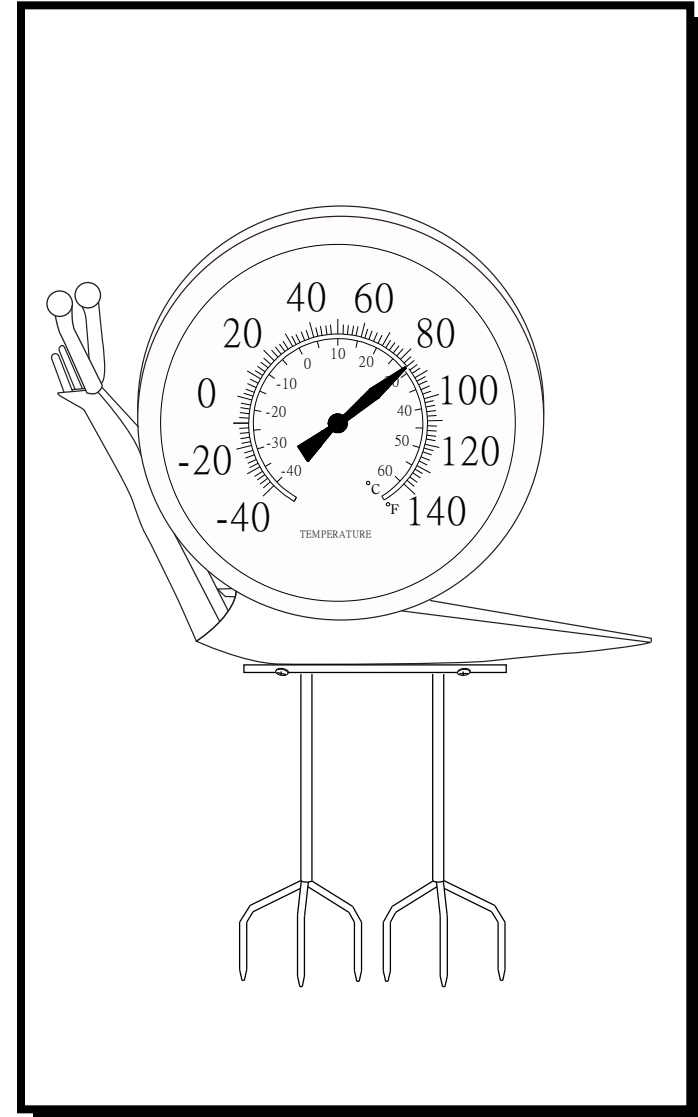
LIMITED WARRANTY

Outdoor Expressions warrants against defects in material and workmanship for a period of ONE (1) YEAR from the date of purchase for use, and agrees to repair or, at our option, replace a defective unit without charge.

IMPORTANT: This warranty does not cover damage resulting from accident, misuse or abuse, lack of reasonable care (see above). The warranty does not cover failure due to accidents, abuse, misuse, vandalism, and acts of nature such as lightning damage. No responsibility is assumed for any special incidental or consequential damages. Damages occurring during transit are not covered by this warranty.

To obtain warranty service, mail receipts as proof-of-purchase date, and a brief explanation of the nature of the defect, to P.O. Box 1037, Coppell, TX 75019. You will receive, by mail, a Return Goods Authorization number issued by **Outdoor Expressions**, and returned freight prepaid. For installation or Technical Support, call 1.800.548.3788, 8 a.m. - 5 p.m., Central Time, Monday thru Friday.

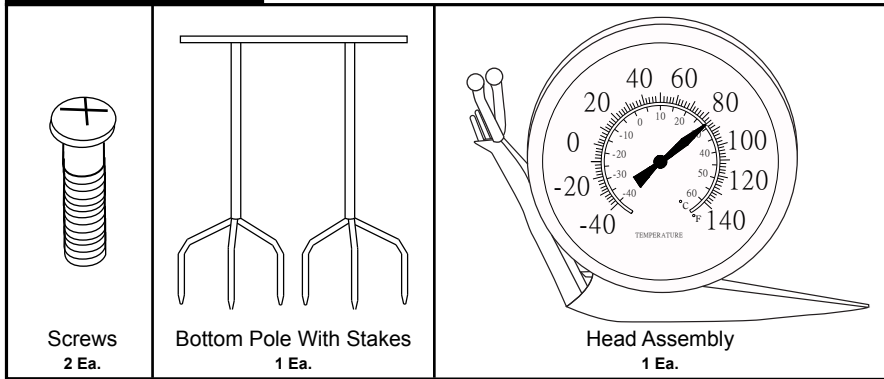
Outdoor Expressions
650 S. Royal Lane
Coppell, TX. 75019



GA051
Thermometer Assembly Instructions

GA051 Thermometer

Parts Included:



Assembly Time:

Time: 10 minutes

Usage:

When using this weather station outside, place unit in shaded area away from direct sunlight for most accurate reading of gauges, as direct sunlight may cause some deviation in gauge readings.

Assembly:

Step 1: Attach bottom pole with stakes by screwing into head assembly.

Adjustment:

Temperature gauge adjustment: Temperature is adjusted by the knob shown on the Figure 1.

Troubleshooting (Adjusting Gauges): The gauge contained in this product is calibrated to reflect the current atmospheric conditions present during the time of this product's assembly. Vibration during the transportation of this product may alter the preset readings and accuracy of each gauge. To ensure the proper reading of each gauge, it is suggested that each unit be checked for accuracy before use. For accurate atmospheric measurements refer to a reliable source such as the newspaper, television, radio, and/or the internet. If adjustment is necessary, please follow the inside instructions for each gauge.

Note: Temperature gauge accuracy is +/- 2 degrees Celsius or +/-3 degrees Fahrenheit. Humidity gauge accuracy is +/- 5%.

